

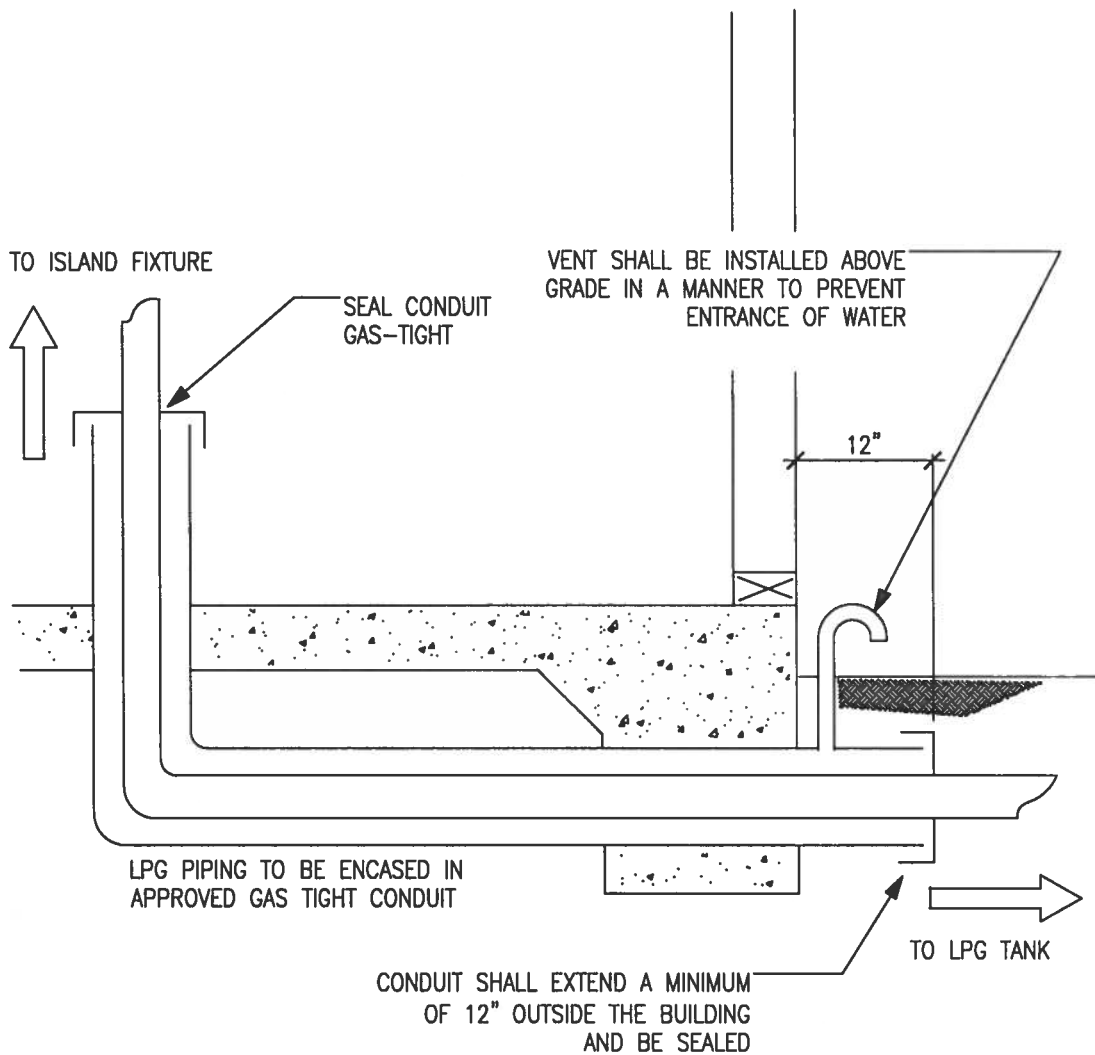
LPG PIPING—UNDERGROUND BENEATH BUILDINGS

**Clark County**  
Dept. of Building & Fire Prevention  
4701 W Russell Rd  
Las Vegas, NV 89118  
(702) 455-3000

**Boulder City**  
Building Department  
401 California Avenue  
Boulder City, NV 89005  
(702) 293-9282

**Henderson**  
Bldg & Fire Safety Dept.  
240 Water Street  
Henderson, NV 89015  
(702) 267-3650

**Las Vegas**  
Building & Safety Dept.  
333 N. Rancho Drive  
Las Vegas, NV 89106  
(702) 229-6251



- ALL PIPE UNDER SLAB SHALL BE CAPABLE OF BEING REMOVED OR REPLACED.  
(SNAUPC 1210.1.6)  
SNAUPC: SOUTHERN NEVADA AMENDMENTS TO THE UNIFORM PLUMBING CODE

**Mesquite**  
Building Department  
10 East Mesquite Blvd.  
Mesquite, NV 89027  
(702) 346-2835

**North Las Vegas**  
Building Department  
2250 Las Vegas Blvd. N  
N. Las Vegas, NV 89030  
(702) 633-1577

**Pahrump**  
Building & Fire Safet Dept.  
250 N Hwy 160 Suite #3  
Pahrump, NV 89060  
(775) 751-3373

**Clark County School District**  
Building Department  
4190 McLeod Drive, 1st Floor  
Las Vegas, NV 89121  
(702) 799-7605